

FMod-TCP BOX 2

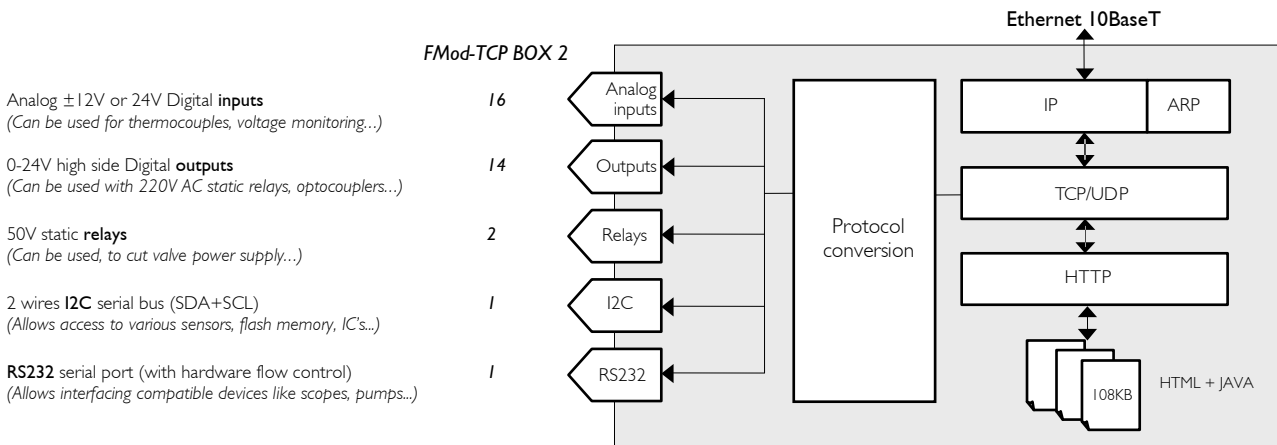
Datasheet

This device is a TCP/IP server which allows system integrators to connect different devices such as home appliances, industrial sensors and industrial control systems directly to the Ethernet network, and to remotely monitor and control those while using standard TCP/IP protocols.

A web page can be downloaded onto the module, allowing users to be OS independent.



Features



Available protocols

Ethernet:	Based on standard 10BaseT NIC controller.
Internet layer:	IP & ARP.
Transport layer:	TCP + UDP & ICMP (ping) (up to 4 simultaneous users in TCP).
Application layer:	HTTP + JAVA dedicated to simple pages and files saved in flash (44kB). Access to RS232, I2C, I/O, A/D and to configuration registers.

Software

A TCP/IP stack is embedded on the device. It can be accessed from any standard Web browser or dedicated application.
A PC interface (for Windows OS) and a sample Java Applet are also included. Where to find more information

Connectors and electrical specifications

- RJ45 connector for Ethernet.
- DIN 41651 40 pins connector for I/O, relays and I2C bus.
- 9 pins male DSub connector for RS232.
- Hartmann ST0802 connector for power supply (between 12 and 32V DC).

The power supply is protected against inverted voltage.

Dimensions

120 x 110 x 23 mm (L x B x H) mountable on DIN rails.

Where to find more information

Please download the user's manual from the following address:

http://www.fiveco.ch/prod_products.php?id=11